

**Motic®**



# Motic SMZ Line

For Original Equipment  
Manufacturers



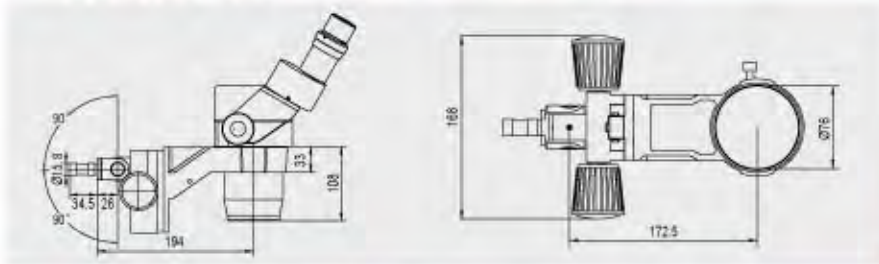
## Dynamic options for today's high-quality production lines.

In today's turbulent economy, you the original equipment manufacturer's success rests heavily on the return of your investment and the quality of your overall product. An integral part of the overall process are stereomicroscopes, whose ability reassures your results in assembly, quality control, bonding, and testing. Therefore, you require a series of stereomicroscopes, which provide optimum performance with the minimum amount of hassle and down time.

The Motic SMZ line of Greenough stereomicroscopes designed for the harsh environments of production and testing also offers the additional benefit of integration of digital output with the simple yet productive "plug and use" digital applications.

**Need ideas? [www.motic.com](http://www.motic.com)**

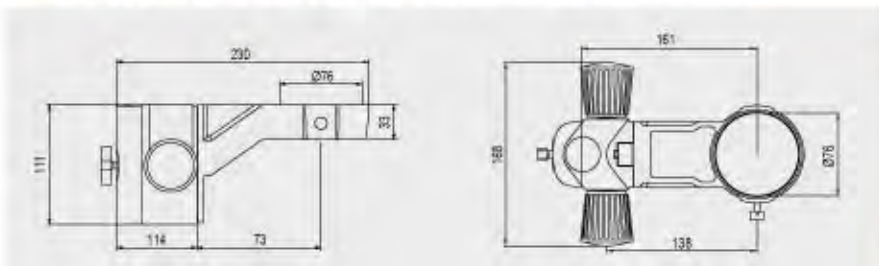
### SMZ-168 Industrial Arm Item No.: SP990069



SMZ-168 60° w/  
Industrial arm

Side view

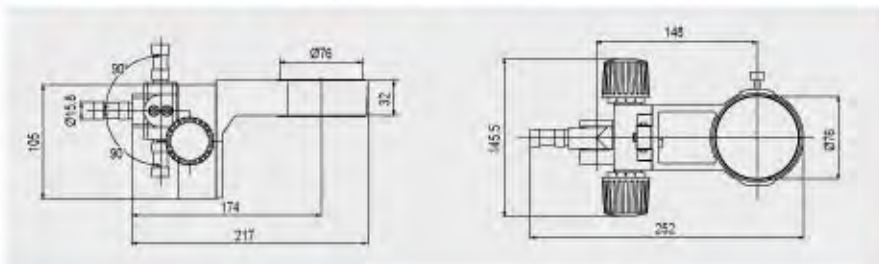
### SMZ-168 Focusing Block Item No.: AX6602605B



SMZ-168 35° w/  
Focusing block

Side view

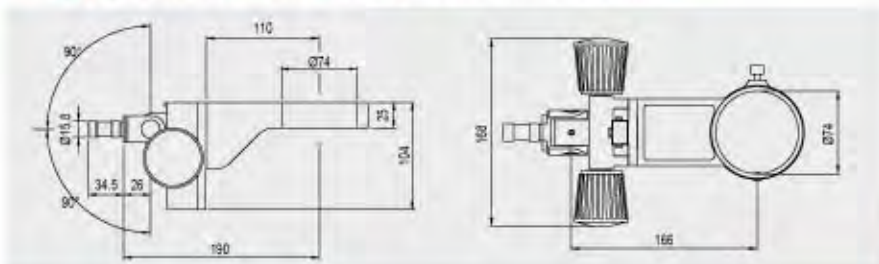
### SMZ-168 New Industrial Arm Item No.: AX6602647



SMZ-168 60° w/  
New Industrial arm

Side view

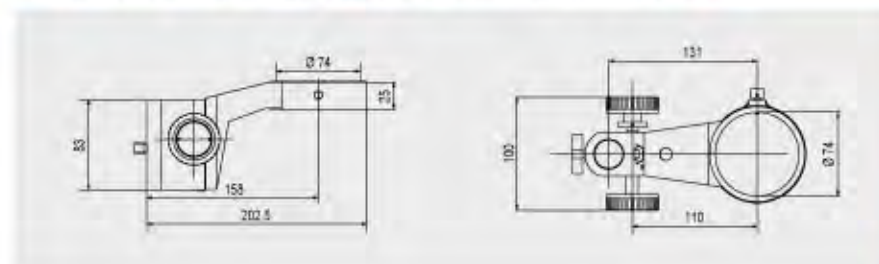
### SMZ-140 Industrial Arm Item No.: SP12.0001



SMZ-140 w/ Industrial arm

Side view

### SMZ-140 Focusing Block Item No.: SP12.0003



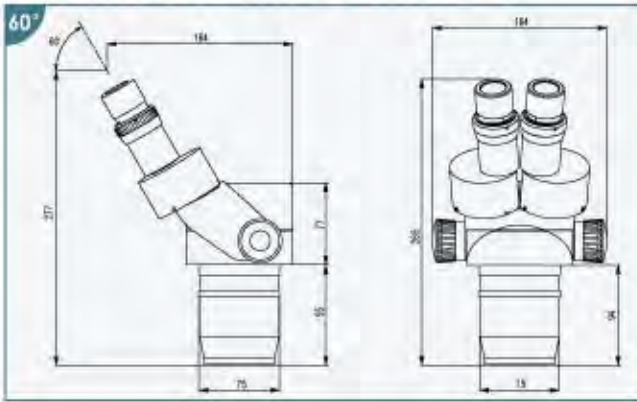
SMZ-143 w/ Focusing block

Side view

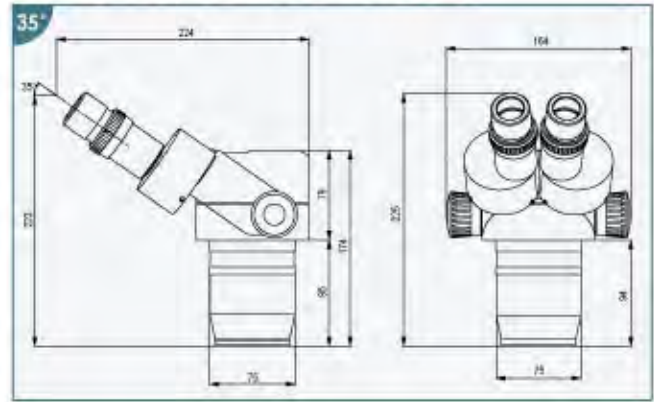
### SCHMATIC DRAWING OF SMZ168 and SMZ140 Body

unit : mm

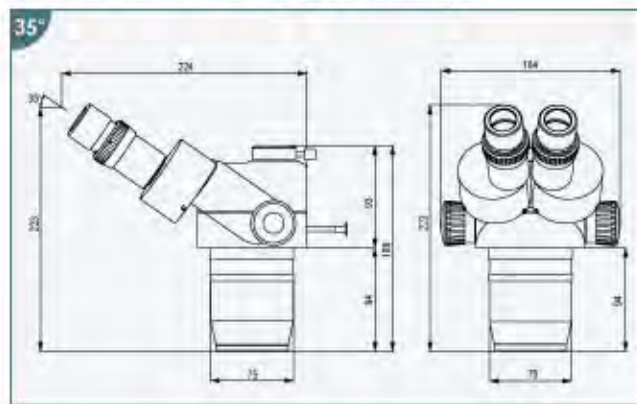
SMZ-168-60B Zoom Body [AX6602642]



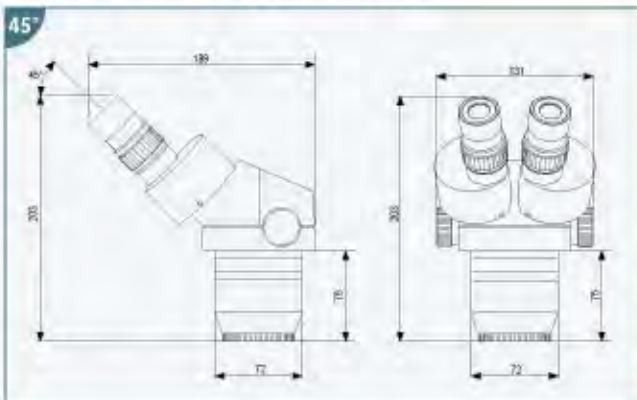
SMZ-168-B Zoom Body [AX6602601]



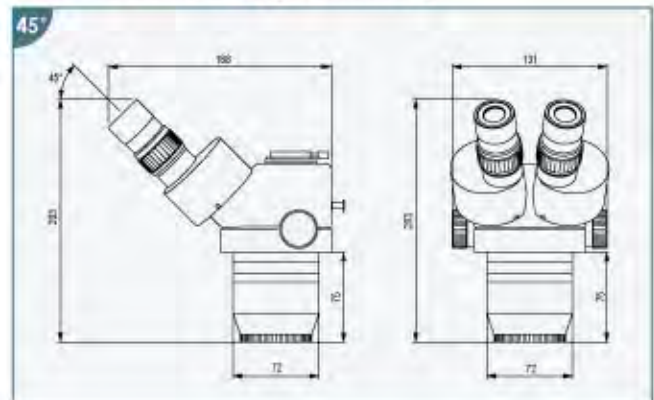
SMZ-168-T Zoom Body [AX6802601]



SMZ140 Zoom Body [PX40000001]



SMZ140 Zoom Body [PX43000001]



Motic SMZ Line has a resistivity of  $1.5 \times 10^9$  ohm / square to assist in the prevention of ESD.

### Accessories

Project requirements change; therefore the ability of the SMZ line to switch effortlessly is achieved through the use of accessories.

The Motic cold light source [SP120070] is a powerful addition to the superb SMZ line. Options are the benefit of the cold light, which is available in the classic illumination with either one [SP990075] or two [SP990076] reflected arm light guides to ring lighting [SP990074]. The Motic cold light source fits ideal in space conscious work environments.

For less demanding systems, the Motic K2401 fluorescent ring illuminator [SP12.0048] is the ideal choice. Easily attachable to the SMZ line, the Motic K2401 produces an even true white illumination over the work surface. The CE approved 12W fluorescent bulb provides hours upon hours of reliable and safe illumination.



MLC-150 Cold Light Source	Dimensions	Weight
SP120070	220mmX193mmX112mm	2.5kg

EYEPIECES: SMZ-168		
SG02T0103	WF 6.25x / 23mm	
SG02T0218	WF 10x / 23mm	
SG02T0318	WF 15x / 17mm	
SG02T0406	WF 20x / 13mm	
SG02T0502	WF 32x / 8mm	

EYEPIECES: SMZ-140		
SG02T0605	WF 5x / 22mm	
SG02T0220	WF 10x / 20mm	
SG02T0313	WF 15x / 13mm	
SG02T0409	WF 20x / 10mm	

### Measuring Eyepieces



360° : 10°  
(For SMZ-168: SG060314)  
(For SMZ-140: SG060334)



14mm : 0.2mm  
(For SMZ-168: SG060320)  
(For SMZ-140: SG060302)



14mm : 0.1mm  
(For SMZ-168: SG060315)  
(For SMZ-140: SG060303)



10mm : 0.1mm  
(For SMZ-168: SG060312)  
(For SMZ-140: SG060312)

### Camera Adapters

#### SMZ-143

2x Photo Adapter  
[35mm SLR camera]  
SP100002  
0.4x CCD adapter  
[1/3" CCD Camera]  
SP100008  
0.5x CCD adapter  
[1/2" CCD Camera]  
SW0113N3

#### SMZ-168

2x Photo Adapter  
[35mm SLR camera]  
AX6602603  
0.35x CCD adapter  
[1/3" CCD Camera]  
AX6602602  
0.65x CCD adapter  
[1/2" CCD Camera]  
SW0113R5

Photo Adapter



CCD Adapter

### Auxiliary Objective: SMZ-168

Magn.	W.D.	Item No.
0.3X	324 mm	AX6602607
0.5X	192 mm	AX6602608
0.63X	156 mm	AX6602643
0.75X	130mm	AX6602609
1.5X	50 mm	AX6602610
2.0X	34.5 mm	AX6602611



### Auxiliary Objective: SMZ-140

Magn.	W.D.	Item No.
0.35X	200 mm	SG01T14203
0.5X	133 mm	SG01T01201A
0.75X	89 mm	SG01T02201A
1.5X	33 mm	SG01T11201A



## Return = investment

Motic's SMZ line provides the OEM sector with working distances and fields of view required for production and inspection. The standard equipment version of the SMZ168 offers a large working distance of 113mm and a field of view of 30.7mm to ensure optimum performance and value. Whereas the SMZ 140 suited for small-scale production and bonding is available with the original 80mm working distance and 20mm field of vision with options for increased working distance or maximum magnification.

## Motic SMZ line overview

Front objective	Motic SMZ140 Eyepiece 10x/20			Motic SMZ168 Eyepiece 10x/23		
	Working Distance mm	Magnification	Field of view diameter mm	Working Distance mm	Magnification	Field of view diameter mm
1.0X	80	10X-40X	20-5	113	7.5X-50X	30.7-4.6
0.3X	n/a	n/a	n/a	324	2.3X-15X	102.2-15.3
0.35X	200	3X-14X	59.1-14.3	n/a	n/a	n/a
0.5X	133	5X-20X	40-10	192	3.8X-25X	61.3-9.2
0.75X	89	7.5X-30X	26.7-6.7	127	5.6X-37.5X	40.9-6.1
1.5X	33	15X-60X	13.3-3.3	50	11.3X-75X	20.4-3.1
2X	n/a	n/a	n/a	34.5	15X-100X	15.3-2.3

The Motic production system holds the international standards ISO 9001 and ISO 14001 relating to quality and constant production management, quality assurance and environmental management.

**Motic**

---

URL: <http://www.motic.com>

**Motic Incorporation Ltd. (HONG KONG)**

Rm 2907-B, Windsor House, 311 Gloucester Road, Causeway Bay, Hong Kong  
Tel: 852-2837 0868 Fax: 852-2882 2792

**Motic Instruments Inc. (CANADA)**

180-4320 Viking Way Richmond, B.C. V6V 2L4 Canada  
Tel: 1-877-977-4717 Fax: 1-604-303 9043

**For Inquiries in UK (UK)**

Saracens House, 25 St. Margarets Green, Ipswich, IP4 2BN, Suffolk, UK  
Tel: 44-(0)-14732 81909 Fax: 44-(0)-14732 11508

**Motic Deutschland GmbH (GERMANY)**

Gewerbepark Spilburg, Spilburgstrasse 1 D-35578 Wetzlar Germany  
Tel: 49-6441-210 010 Fax: 49-6441-210 0122

**Motic Spain, S.L. (SPAIN)**

C/Pere IV, 78-84-7 Planta 08005 Barcelona Spain  
Tel: 34-93-485 1841 Fax: 34-93-309 7700

**Motic China Group Co. Ltd. (CHINA)**

Motic Building, Torch Hi-Tech Industrial Development Zone, Xiamen, P.R.C.  
Tel: 86-0592-310 5333 Fax: 86-0592-562 7855

Motic China Group Co., Ltd. Copyright© 2000-2002 All Rights Reserved.

**Design Change:** The manufacturer reserves the right to make changes in instrument design in accordance with scientific and mechanical progress, without notice and without obligation.



Code No: SP010937